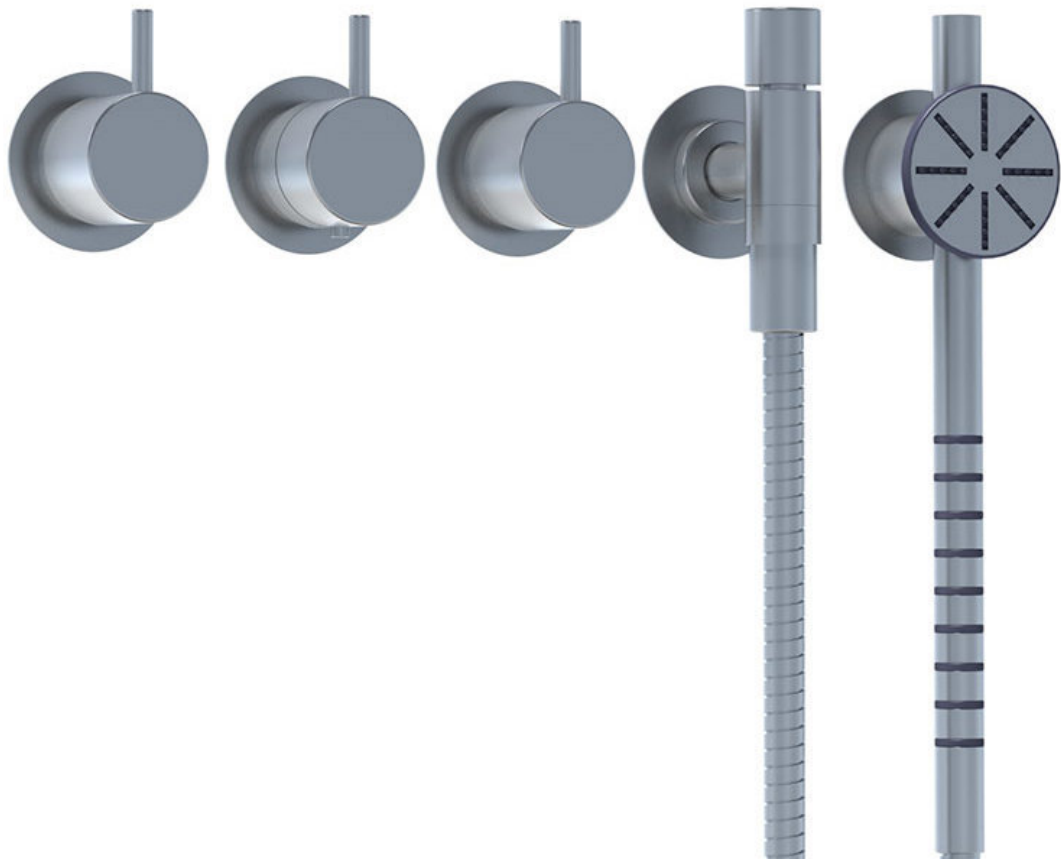


--

Date:
Client:
Project:



5471S-081D

¾" thermostatic mixer.

5471S-081DUP = Thermostatic mixer 5400NV, 200M.

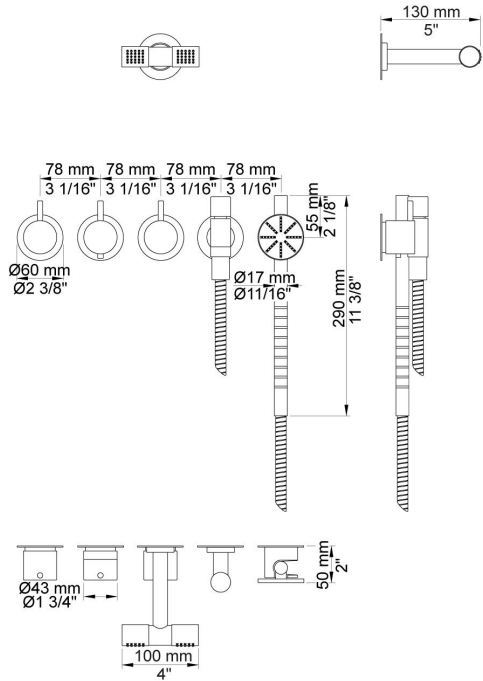
5471S-081DAP = Handle NR51, handle NR52, handle NR64G, hand shower and hand shower holder with non-return valve 070S, hose 1500 mm, 115 mm double head shower 080D, 60 mm circular flanges: 001, 001G, 3 pcs 2001.

Flow

	Bar:	1.0	2.0	3.0	4.0	5.0
080D ¹⁾	(l/min)	14.4	20.4	25.0	28.9	32.3
070S ²⁾	(l/min)	6.9	9.8	12.0	13.9	15.5

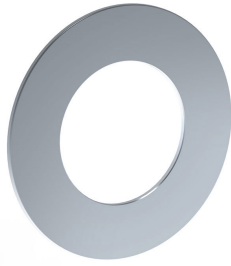
¹⁾ USA: Flow restricted to 1.8 gpm (7.0 l/min)

²⁾ USA: Flow restricted to 2.0 gpm (7.6 l/min)

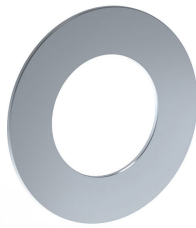
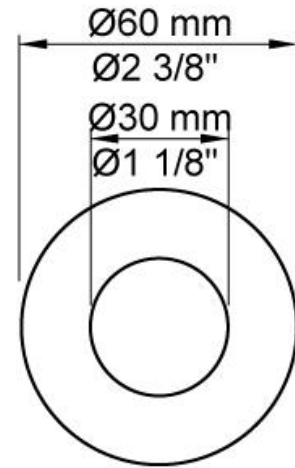


Available in colors

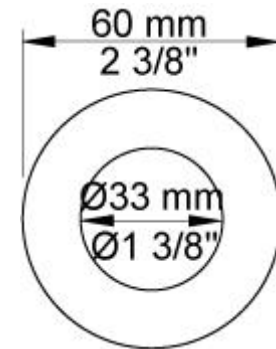
Color 16, Polished chrome	Color 62, Deep black
Color 19, Natural brass	Color 63, Copper
Color 20, Brushed chrome	Color 64, Brushed Copper
Color 28, Matt white	Color 65, Gold
Color 40, Brushed stainless steel	Color 68, Silver
Color 60, Black	Color 70, Brushed Gold
Color 61, Brushed black	



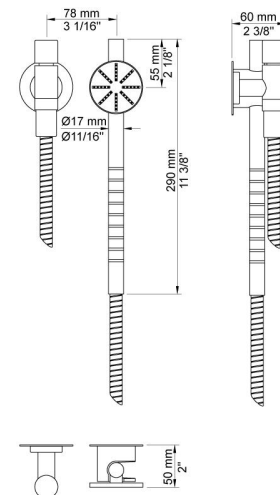
001
60 mm circular flange.
Hole Ø30 mm.



001G
60 mm circular flange. Hole Ø33 mm.

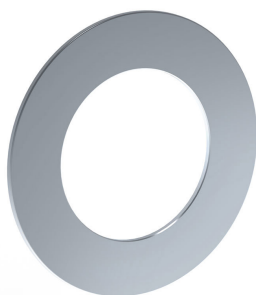
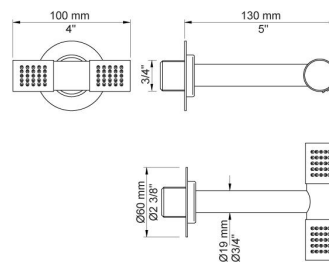


070S
Hand shower, hand shower holder and hose with non-return valve.

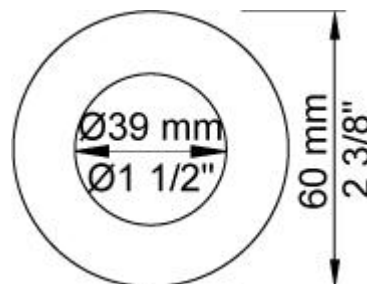




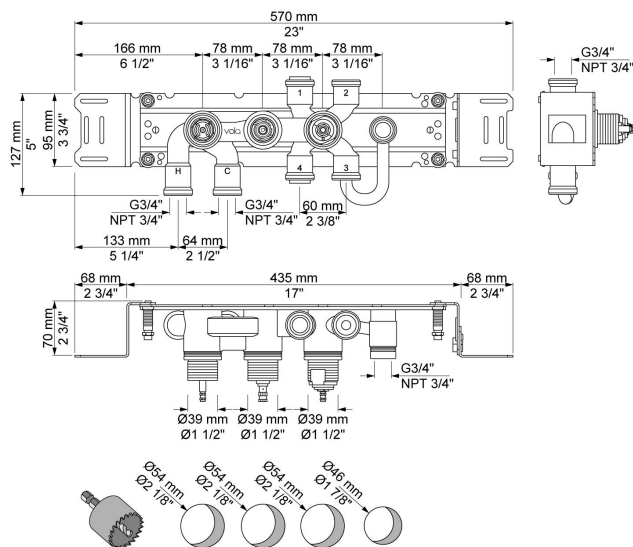
080D
130 mm double head shower.
60 mm cover flange included.



2001
60 mm circular flange.
Hole Ø39 mm.

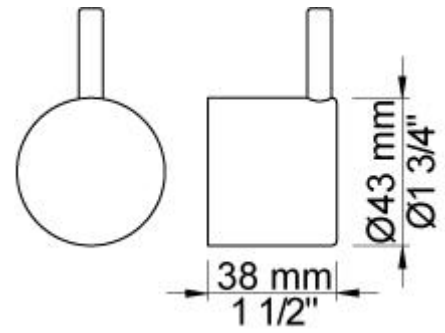


5400N
Thermostatic mixer with diverter and fixed outlet socket and one separate outlet socket, 200M.
¾" connection to copper, steel, iron or pex pipe work.

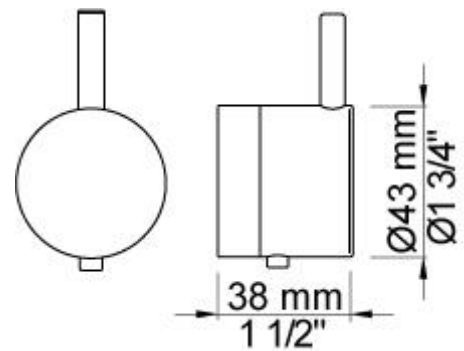


**NR51**

On/off handle for series 5000.

**NR52**

Thermostatic handle for series 5000.

**NR64G**

Diverter handle for 5400/5600.

With peg in the same colour as handle (Standard).

