

--

Date:
Client:
Project:



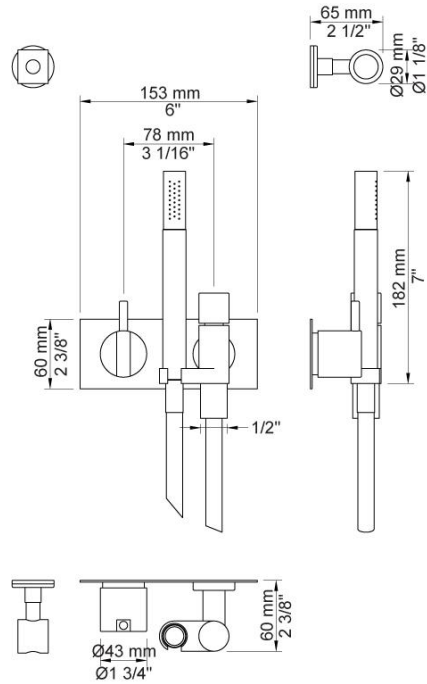
2172T9

One-handle build-in mixer with ceramic disc technology.
 2172T9UP = Mixer 2100.
 2172T9AP = Handle NR21, hand shower and hand shower holder with non-return valve 070, hose 1500 mm, two-hole plate 60 x 153 mm 2002, hand shower holder T9.

Flow

	Bar:	1.0	2.0	3.0	4.0	5.0
2172T9 ¹⁾	(l/min)	5.2	7.3	9.0	9.0	9.0

¹⁾ USA: Flow restricted to 1.8 gpm (7.0 l/min)

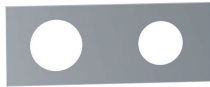
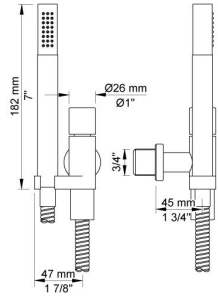


Available in colors

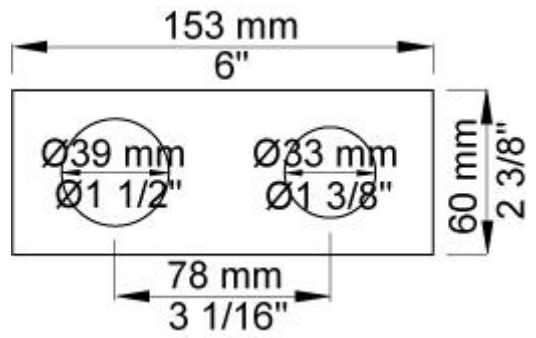
Color 02, Grey	Color 21, Carmine red
Color 04, Light blue	Color 25, Pink
Color 05, Orange	Color 27, Matt black
Color 06, Light green	Color 28, Matt white
Color 08, Yellow	Color 40, Brushed stainless steel
Color 09, Dark grey	Color 60, Black
Color 12, Mocca	Color 61, Brushed black
Color 14, Bright red	Color 62, Deep black
Color 15, Dark blue	Color 63, Copper
Color 16, Polished chrome	Color 64, Brushed Copper
Color 17, Gloss black	Color 65, Gold
Color 18, White	Color 68, Silver
Color 19, Natural brass	Color 70, Brushed Gold
Color 20, Brushed chrome	



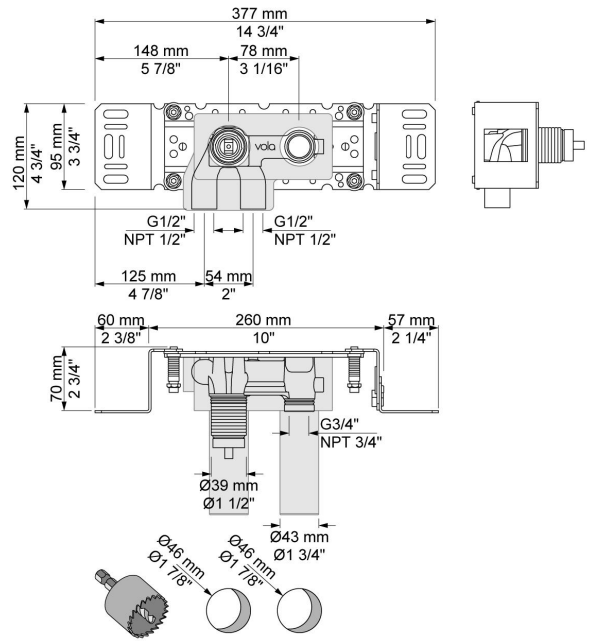
070
Hand shower, hand shower holder and hose with non-return valve.



2002
Two-hole plate, 60 x 153 mm.
Holes Ø39 and Ø30 mm.



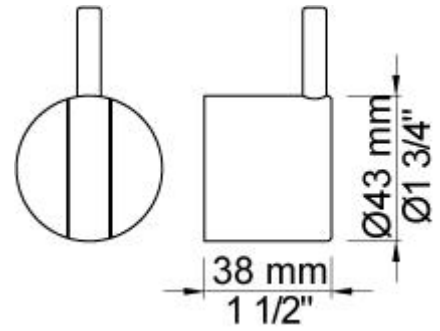
2100
One-handle build-in mixer for high flow, with fixed outlet socket.
½" connection to copper, steel, iron or pex pipe work.





NR21

Operating handle for 2100, 2200, 2300, 2400
incl. variants. Ø43 mm.



T9

Hand shower holder for T2 for high mounting.

