

--

Date:
Client:
Project:

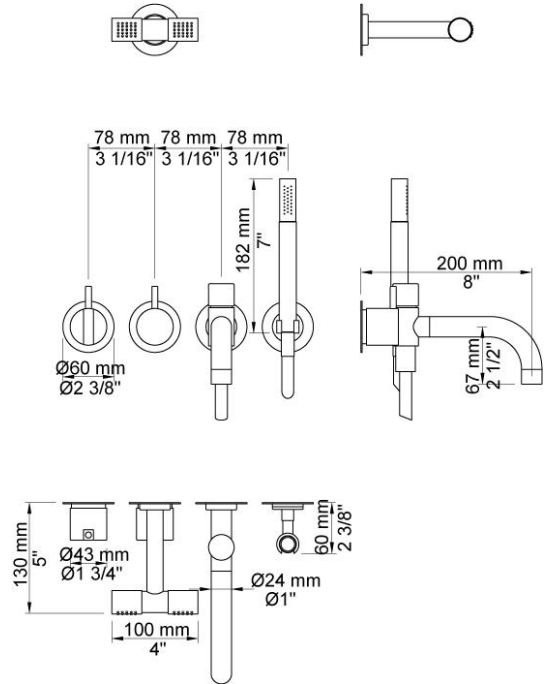


**2441DT8-081D**

One-handle build-in mixer with ceramic disc technology and diverter.  
 2441DT8-08D1UP = Build-in mixer 2400N.  
 2441DT8-081DAP = Handle NR21, handle NR24G, 200 mm bath spout with diverter for hand shower, incl. hand shower 040D, 130 mm double head shower 080D, 60 mm circular flange: 001, 2 pcs. 001G, 2001, hand shower holder T8.

**Flow**

	Bar:	1.0	2.0	3.0	4.0	5.0
040D	(l/min)	8.7	12.2	15.0	17.3	19.4
T2	(l/min)	5.5	7.8	9.5	11.0	12.3
080D	(l/min)	12.7	18.0	22.0	25.4	28.4



**Available in colors**

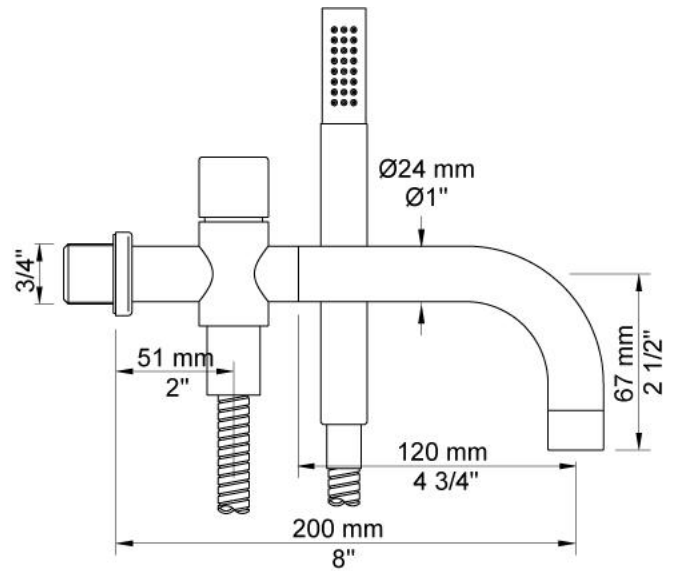
Color 02, Grey	Color 21, Carmine red
Color 04, Light blue	Color 25, Pink
Color 05, Orange	Color 27, Matt black
Color 06, Light green	Color 28, Matt white
Color 08, Yellow	Color 40, Brushed stainless steel
Color 09, Dark grey	Color 60, Black
Color 12, Mocca	Color 61, Brushed black
Color 14, Bright red	Color 62, Deep black
Color 15, Dark blue	Color 63, Copper
Color 16, Polished chrome	Color 64, Brushed Copper
Color 17, Gloss black	Color 65, Gold
Color 18, White	Color 68, Silver
Color 19, Natural brass	Color 70, Brushed Gold
Color 20, Brushed chrome	



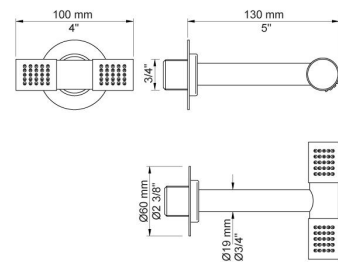
**001**  
60 mm circular flange.  
Hole Ø30 mm.

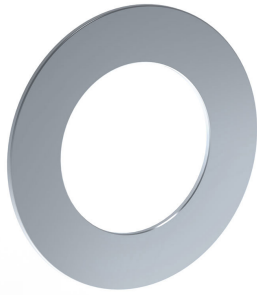


**040D**  
200 mm bath spout with diverter for handshower.  
Dimension Ø24 mm. Incl. hand shower T2.

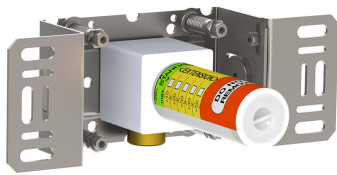
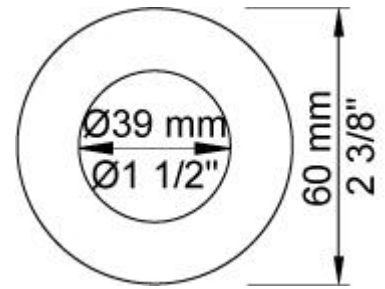


**080D**  
130 mm double head shower.  
60 mm cover flange included.

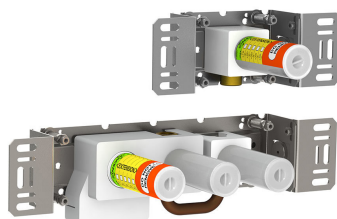
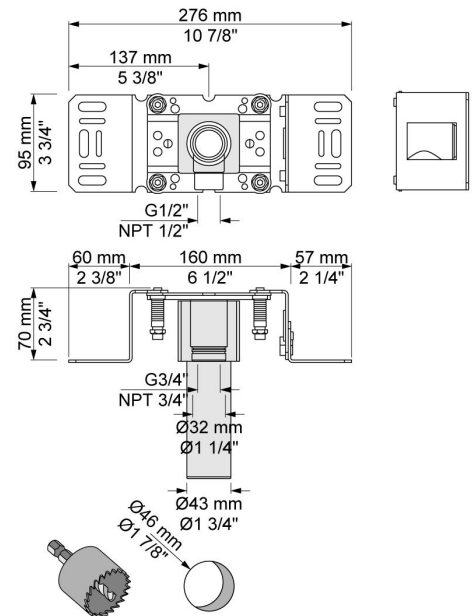




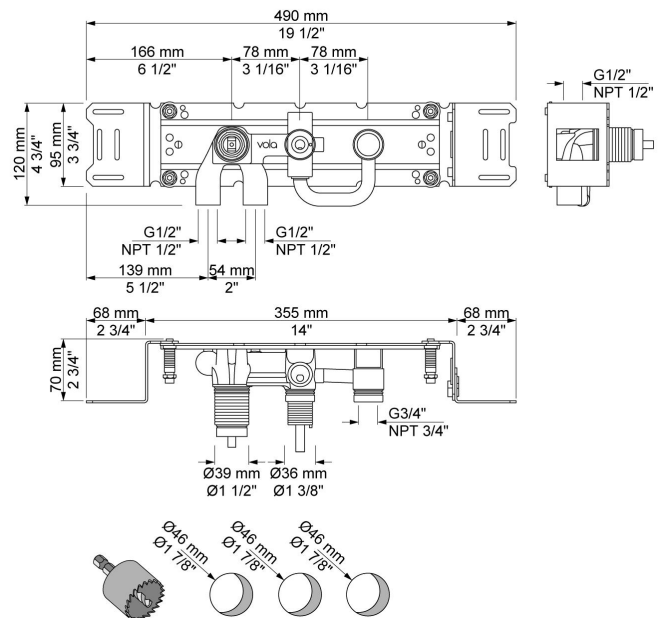
**2001**  
60 mm circular flange.  
Hole Ø39 mm.



**200M**  
Separate outlet socket.  
½" connection to copper, steel, iron or pex pipe work.



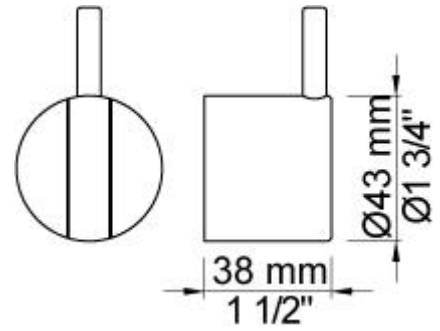
**2400N**  
One-handle build-in mixer for high flow, with diverter, with one fixed outlet socket, and one separate outlet socket, 200M.  
½" connection to copper, steel, iron or pex pipe work.





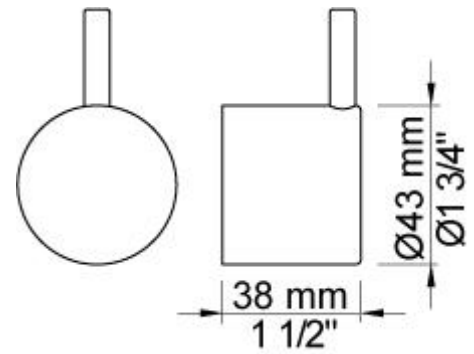
**NR21**

Operating handle for 2100, 2200, 2300, 2400  
incl. variants. Ø43 mm.



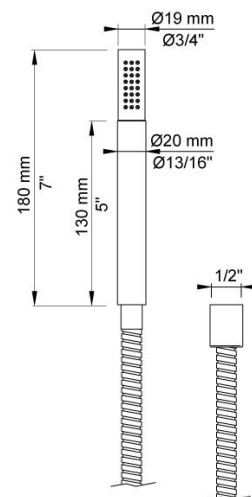
**NR24G**

Diverter handle for 2400 incl. variants. Ø43 mm.  
With peg in the same colour as handle (Standard).



**T2**

Hand shower with 1.5 m hose.





**T8**  
Hand shower holder for T2 for low mounting.

