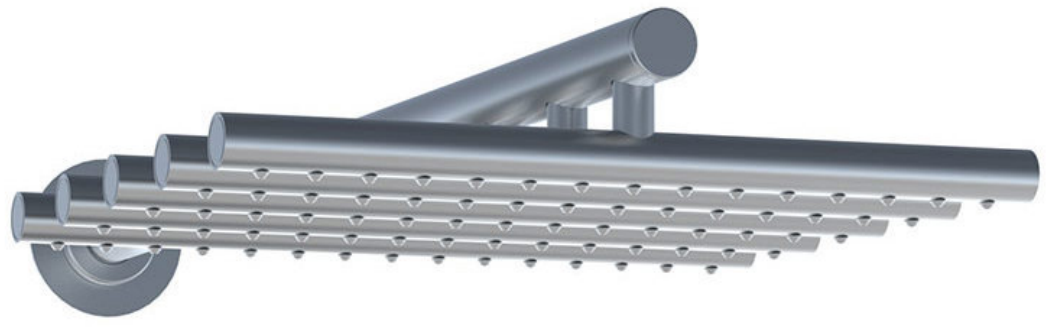


--

Date:
Client:
Project:

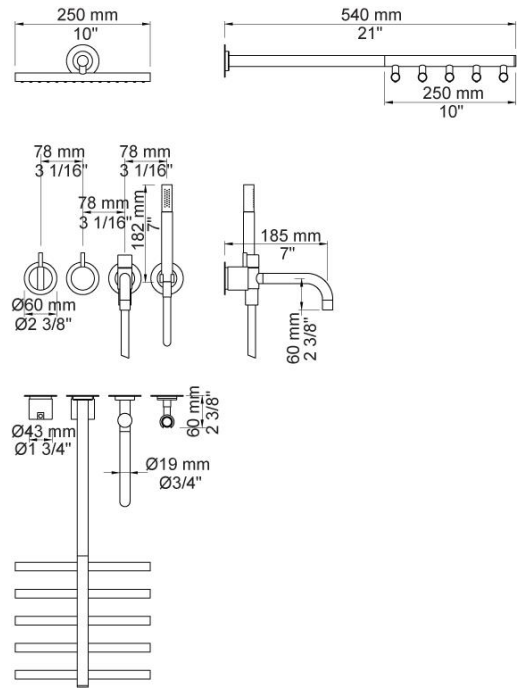


2441T8-051

One-handle build-in mixer with ceramic disc technology and diverter.
 2441T8-051UP = Build-in mixer 2400N.
 2441T8-051AP = Handle NR21, handle NR24G, wall-mounted head shower 050, 200 mm bath spout with diverter for hand shower, incl. 185 mm bath spout 040, 60 mm circular flanges 001, 2 pcs. 001G, 2001, hand shower holder T8.

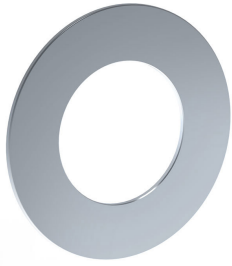
Flow

	Bar:	1.0	2.0	3.0	4.0	5.0
040	(l/min)	8.7	12.2	15.0	17.3	19.4
T8	(l/min)	5.5	7.8	9.5	11.0	12.3
050	(l/min)	11.6	16.3	20.0	23.1	25.8

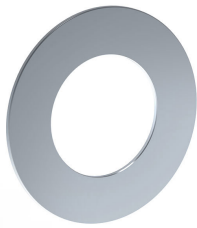


Available in colors

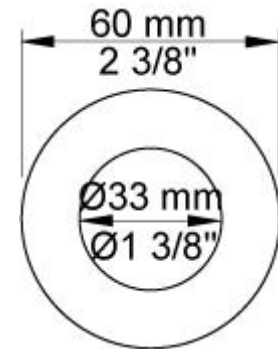
Color 02, Grey	Color 21, Carmine red
Color 04, Light blue	Color 25, Pink
Color 05, Orange	Color 27, Matt black
Color 06, Light green	Color 28, Matt white
Color 08, Yellow	Color 40, Brushed stainless steel
Color 09, Dark grey	Color 60, Black
Color 12, Mocca	Color 61, Brushed black
Color 14, Bright red	Color 62, Deep black
Color 15, Dark blue	Color 63, Copper
Color 16, Polished chrome	Color 64, Brushed Copper
Color 17, Gloss black	Color 65, Gold
Color 18, White	Color 68, Silver
Color 19, Natural brass	Color 70, Brushed Gold
Color 20, Brushed chrome	



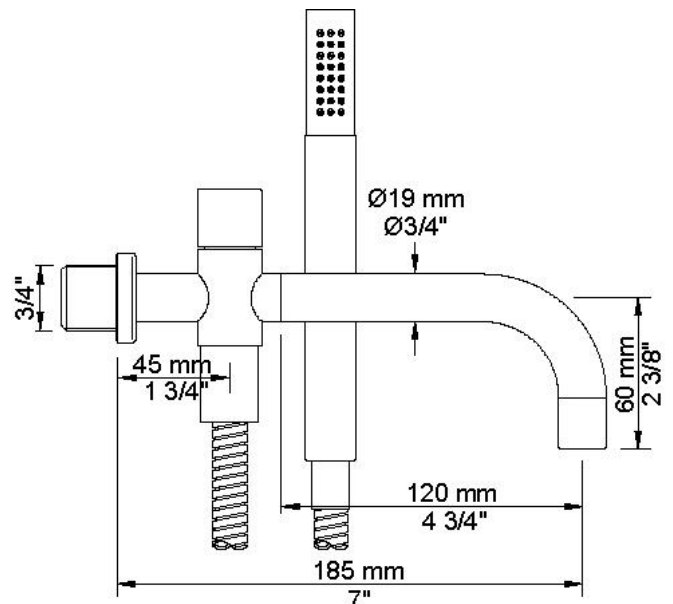
001
60 mm circular flange.
Hole Ø30 mm.



001G
60 mm circular flange. Hole Ø33 mm.



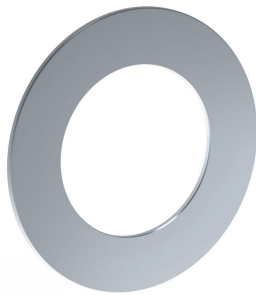
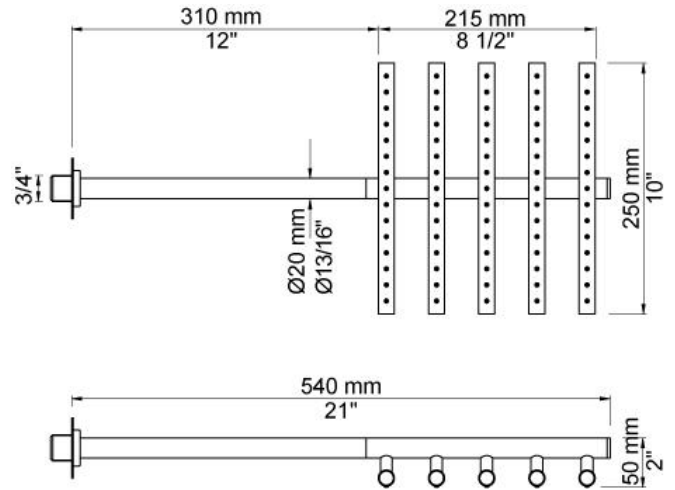
040
185 mm bath spout with diverter for hand shower.
Incl. hand shower T2.





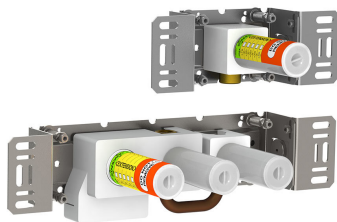
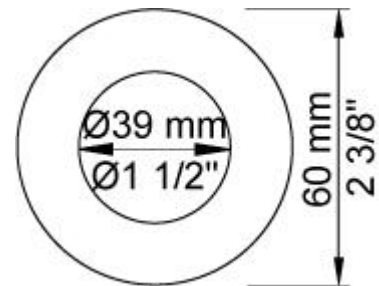
050

Head shower, wall-mounted.
 Fits 200M in an existing installation if it is from the new generation of VOLA build-in fittings after 1995.



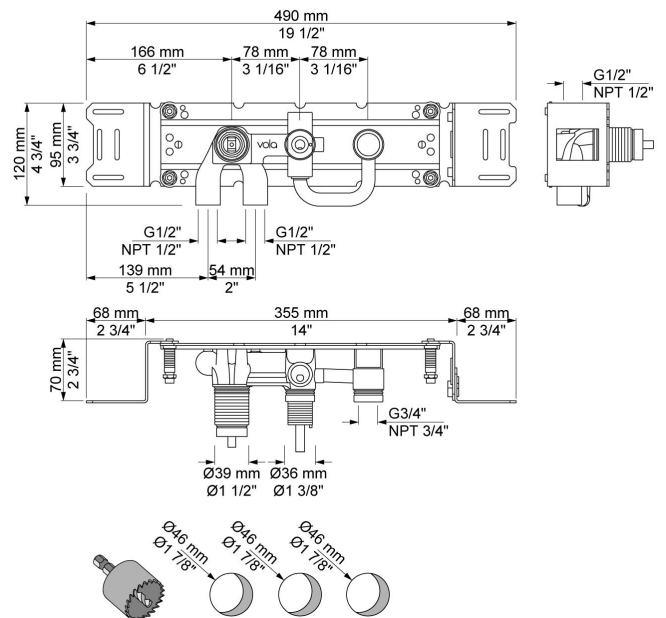
2001

60 mm circular flange.
 Hole Ø39 mm.



2400N

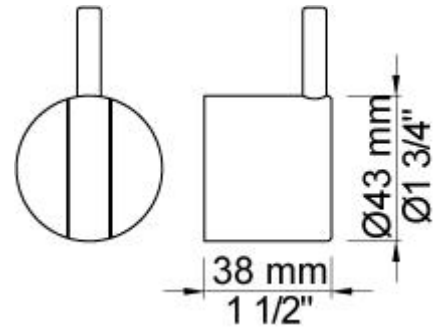
One-handle build-in mixer for high flow, with diverter, with one fixed outlet socket, and one separate outlet socket, 200M.
 1/2" connection to copper, steel, iron or pex pipe work.





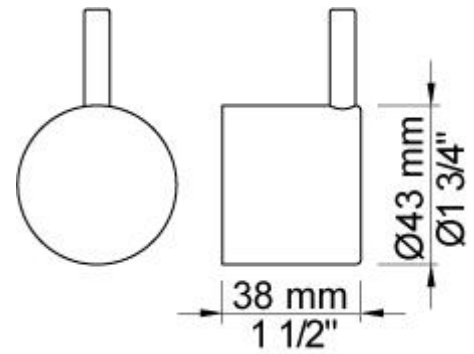
NR21

Operating handle for 2100, 2200, 2300, 2400
incl. variants. Ø43 mm.



NR24G

Diverter handle for 2400 incl. variants. Ø43 mm.
With peg in the same colour as handle (Standard).



T8

Hand shower holder for T2 for low mounting.

