

Date:

Client:

Project:



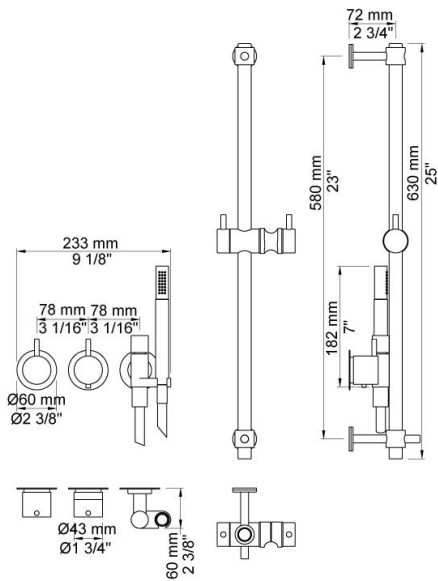
5171RT34

¾" thermostatic mixer.
 5171RT34UP = Thermostatic mixer 5100.
 5171RT34AP = Handle NR51, handle NR52, hand shower and hand shower holder with non-return valve 070R, with holder to the right, hose 1500 mm, 60 mm circular flanges: 001, 2 pcs. 2001, shower rail T34-T2.

Flow

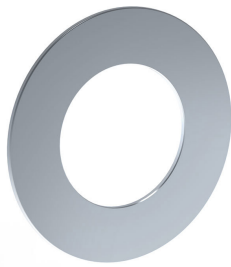
| | Bar: | 1.0 | 2.0 | 3.0 | 4.0 | 5.0 |
|------------------------|-------------|------------|------------|------------|------------|------------|
| 5171RT34 ¹⁾ | (l/min) | 5.2 | 7.3 | 9.0 | 9.0 | 9.0 |

¹⁾ USA: Flow restricted to 1.8 gpm (7.0 l/min)

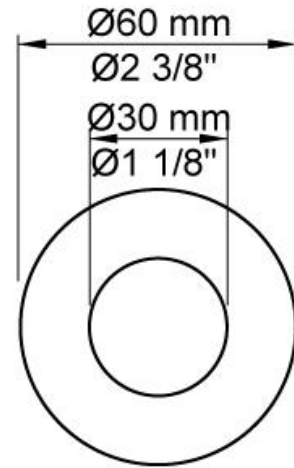


Available in colors

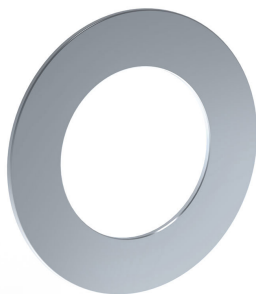
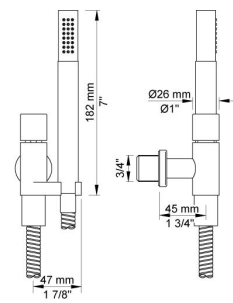
| | |
|---------------------------|-----------------------------------|
| Color 02, Grey | Color 21, Carmine red |
| Color 04, Light blue | Color 25, Pink |
| Color 05, Orange | Color 27, Matt black |
| Color 06, Light green | Color 28, Matt white |
| Color 08, Yellow | Color 40, Brushed stainless steel |
| Color 09, Dark grey | Color 60, Black |
| Color 12, Mocca | Color 61, Brushed black |
| Color 14, Bright red | Color 62, Deep black |
| Color 15, Dark blue | Color 63, Copper |
| Color 16, Polished chrome | Color 64, Brushed Copper |
| Color 17, Gloss black | Color 65, Gold |
| Color 18, White | Color 68, Silver |
| Color 19, Natural brass | Color 70, Brushed Gold |
| Color 20, Brushed chrome | |



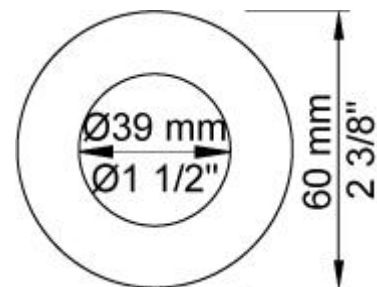
001
60 mm circular flange.
Hole Ø30 mm.

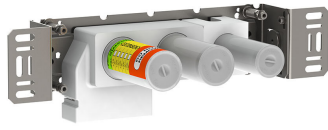


070R
Hand shower, hand shower with holder to the right and hose with non-return valve.

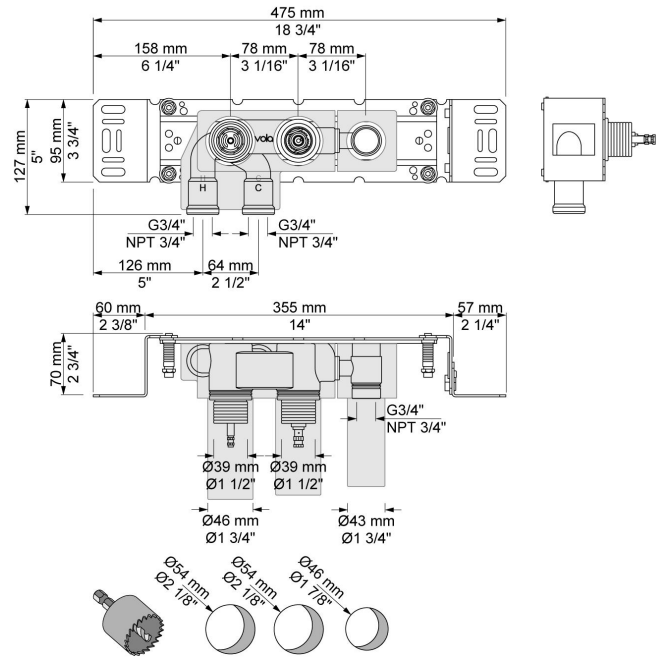


2001
60 mm circular flange.
Hole Ø39 mm.

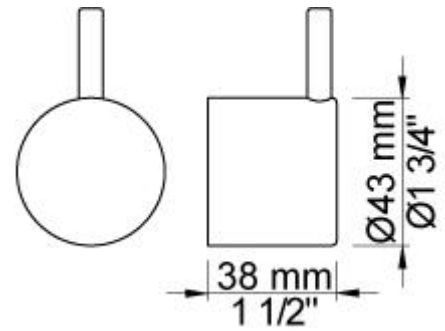




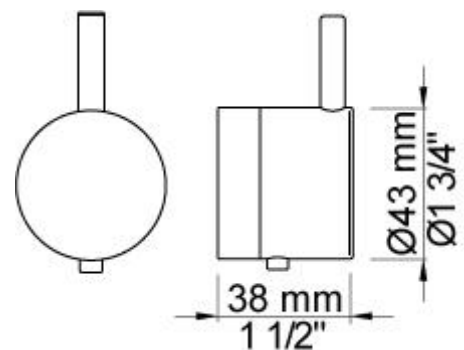
5100
Thermostatic mixer with fixed outlet socket.
3/4" connection to copper, steel, iron or pex pipe work.



NR51
On/off handle for series 5000.



NR52
Thermostatic handle for series 5000.





T34-T2

Shower rail without hand shower T2.

