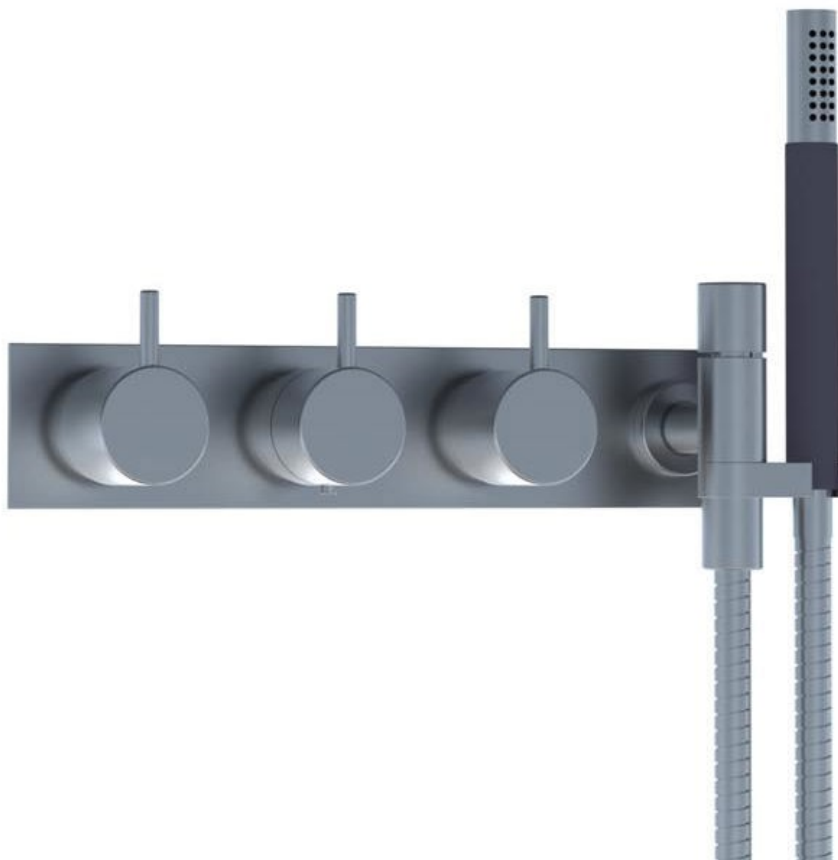
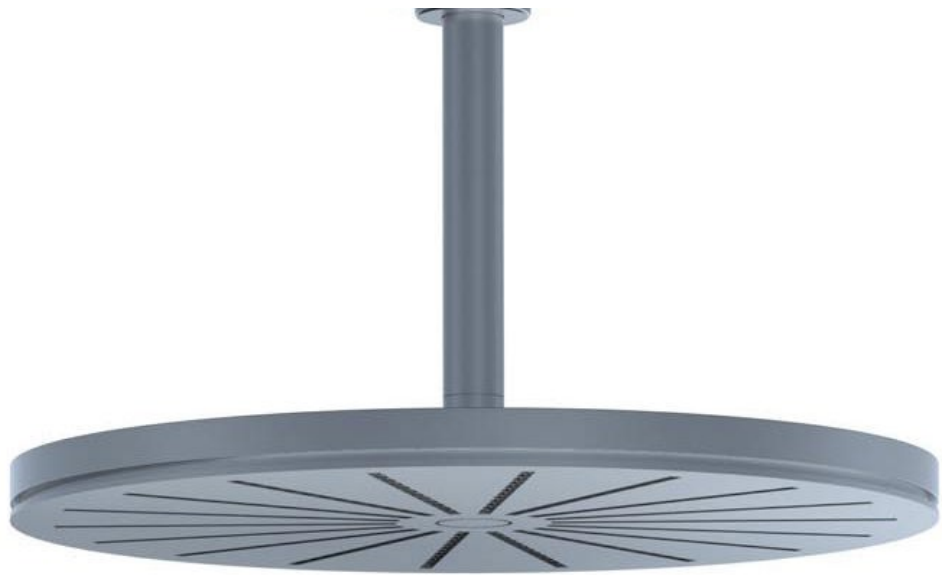


| |
|--|
| |
|--|

| |
|----------|
| Date: |
| Client: |
| Project: |



5474R-061A

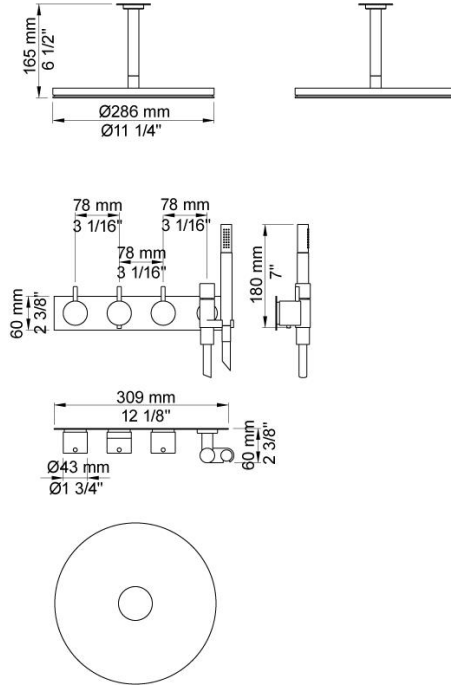
¾" thermostatic mixer.

5474R-061AUP = Thermostatic mixer 5400NV, 200M.

5474R-061AAP = Handle NR51, handle NR52, handle NR64G, hand shower and hand shower holder with non-return valve 070R, with holder to the right, hose 1500 mm, ceiling-mounted head shower 060A, four-hole plate 60 x 309 mm 5004B.

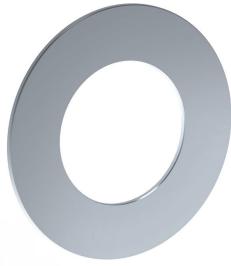
Flow

| | Bar: | 1.0 | 2.0 | 3.0 | 4.0 | 5.0 |
|------|---------|------|------|------|------|------|
| 070R | (l/min) | 5.2 | 7.3 | 9.0 | 9.0 | 9.0 |
| 060A | (l/min) | 12.7 | 18.0 | 22.0 | 25.4 | 28.4 |



Available in colors

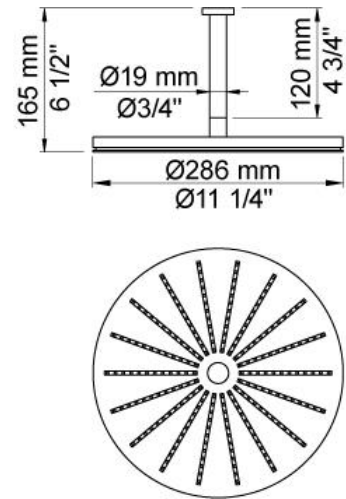
| | |
|---------------------------|-----------------------------------|
| Color 02, Grey | Color 21, Carmine red |
| Color 04, Light blue | Color 25, Pink |
| Color 05, Orange | Color 27, Matt black |
| Color 06, Light green | Color 28, Matt white |
| Color 08, Yellow | Color 40, Brushed stainless steel |
| Color 09, Dark grey | Color 60, Black |
| Color 12, Mocca | Color 61, Brushed black |
| Color 14, Bright red | Color 62, Deep black |
| Color 15, Dark blue | Color 63, Copper |
| Color 16, Polished chrome | Color 64, Brushed Copper |
| Color 17, Gloss black | Color 65, Gold |
| Color 18, White | Color 68, Silver |
| Color 19, Natural brass | Color 70, Brushed Gold |
| Color 20, Brushed chrome | |



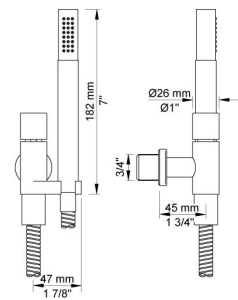
001
60 mm circular flange.
Hole Ø30 mm.

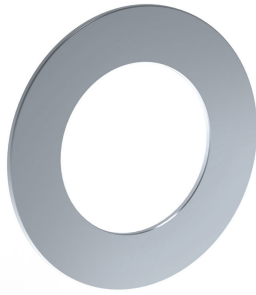


060A
Head shower, round, ceiling-mounted.
60 mm cover flange included.

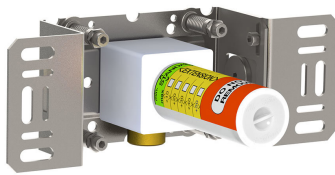
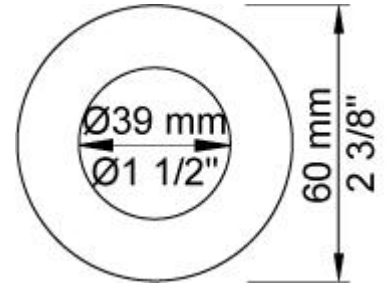


070R
Hand shower, hand shower with holder to the right and hose with non-return valve.

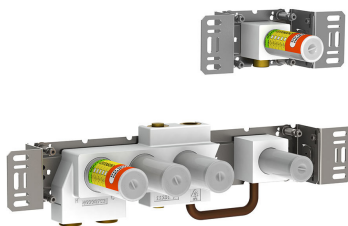
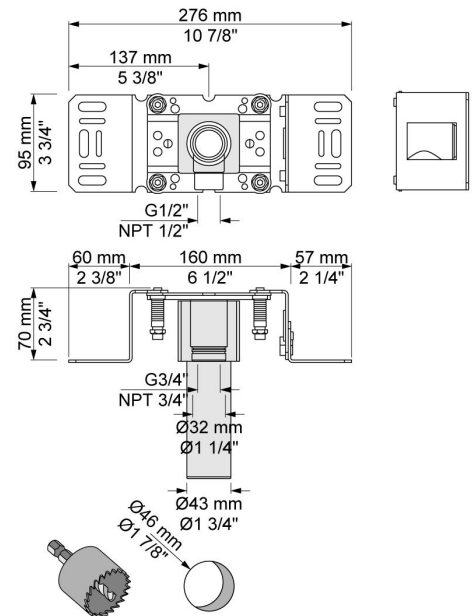




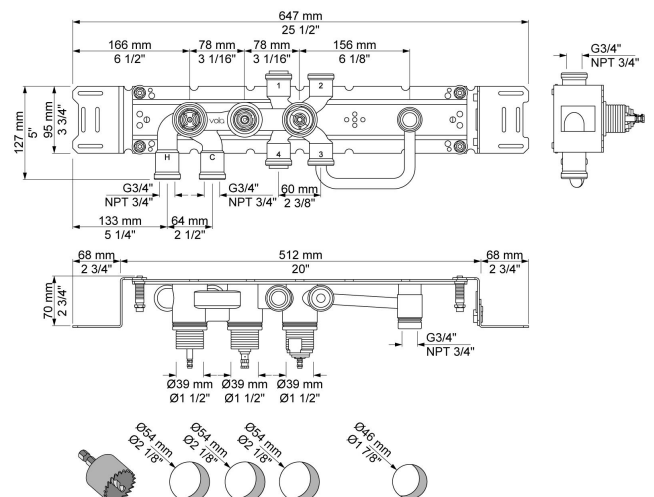
2001
60 mm circular flange.
Hole Ø39 mm.



200M
Separate outlet socket.
½" connection to copper, steel, iron or pex pipe work.

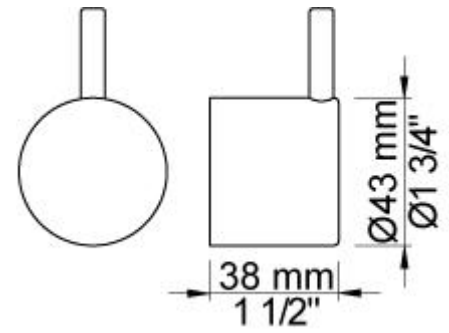


5400F
Thermostatic mixer with diverter, fixed outlet socket and one separate outlet socket, 200M.
¾" connection to copper, steel, iron or pex pipe work.

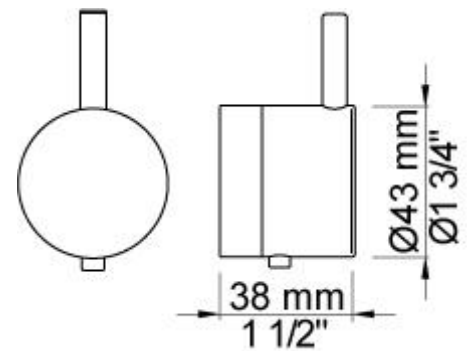




NR51
On/off handle for series 5000.



NR52
Thermostatic handle for series 5000.



NR64G
Diverter handle for 5400/5600.
With peg in the same colour as handle (Standard).

