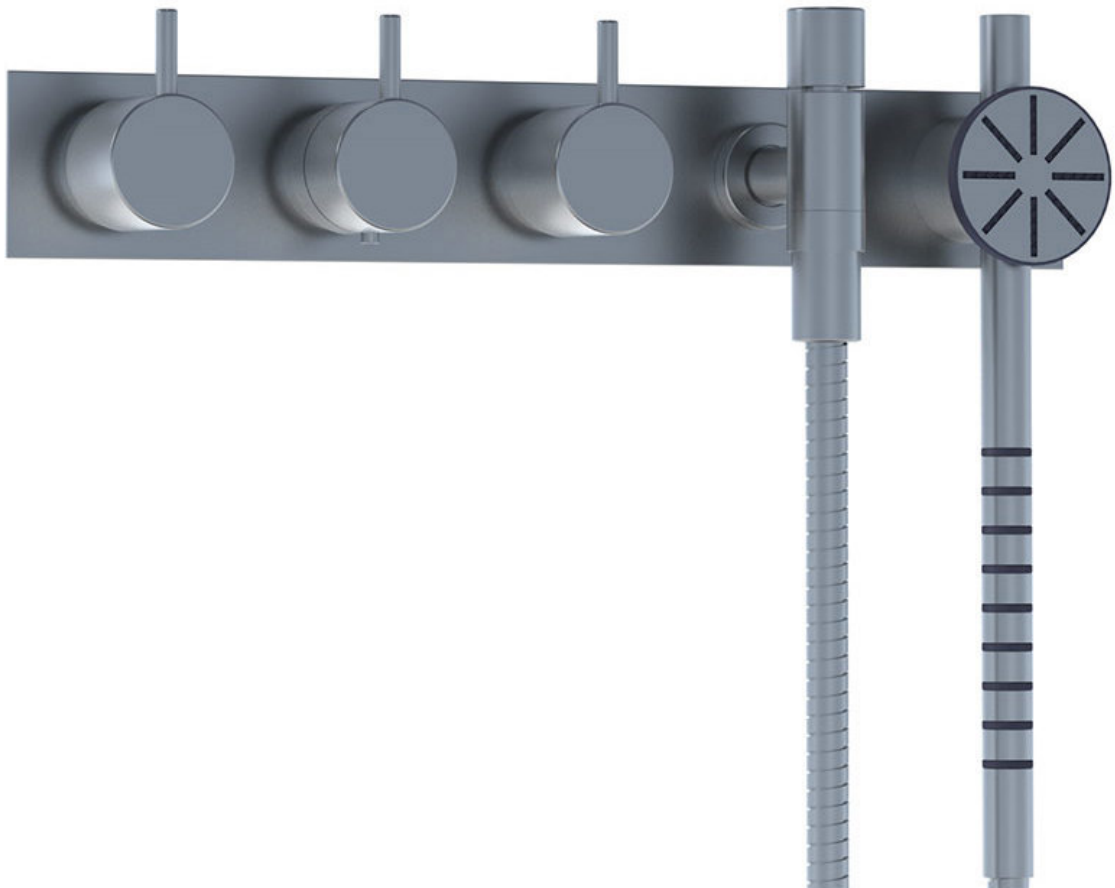


| |
|--|
| |
|--|

| |
|----------|
| Date: |
| Client: |
| Project: |



5475S

¾" thermostatic mixer.

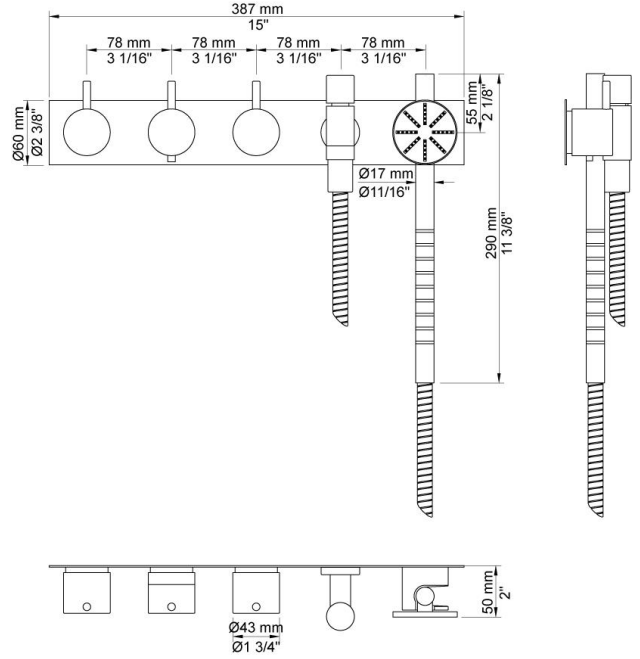
5475SUP = Thermostatic mixer 5400NV.

5475SAP = Handle NR51, handle NR52, handle NR64G, hand shower and hand shower holder with non-return valve 070S, hose 1500 mm, five-hole plate 60 x 387 mm 5005B.

Flow

| | Bar: | 1.0 | 2.0 | 3.0 | 4.0 | 5.0 |
|--------------------|---------|------|------|------|------|------|
| 070S ¹⁾ | (l/min) | 6.9 | 9.8 | 12.0 | 13.9 | 15.5 |
| 5400NV | (l/min) | 18.5 | 26.1 | 32.0 | 37.0 | 41.3 |

¹⁾ USA: Flow restricted to 2.0 gpm (7.6 l/min)

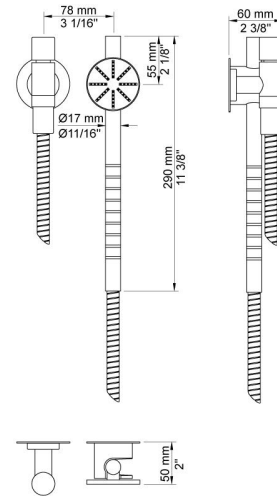


Available in colors

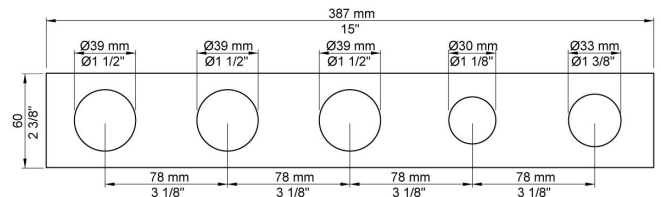
| | |
|---------------------------|-----------------------------------|
| Color 02, Grey | Color 21, Carmine red |
| Color 04, Light blue | Color 25, Pink |
| Color 05, Orange | Color 27, Matt black |
| Color 06, Light green | Color 28, Matt white |
| Color 08, Yellow | Color 40, Brushed stainless steel |
| Color 09, Dark grey | Color 60, Black |
| Color 12, Mocca | Color 61, Brushed black |
| Color 14, Bright red | Color 62, Deep black |
| Color 15, Dark blue | Color 63, Copper |
| Color 16, Polished chrome | Color 64, Brushed Copper |
| Color 17, Gloss black | Color 65, Gold |
| Color 18, White | Color 68, Silver |
| Color 19, Natural brass | Color 70, Brushed Gold |
| Color 20, Brushed chrome | |



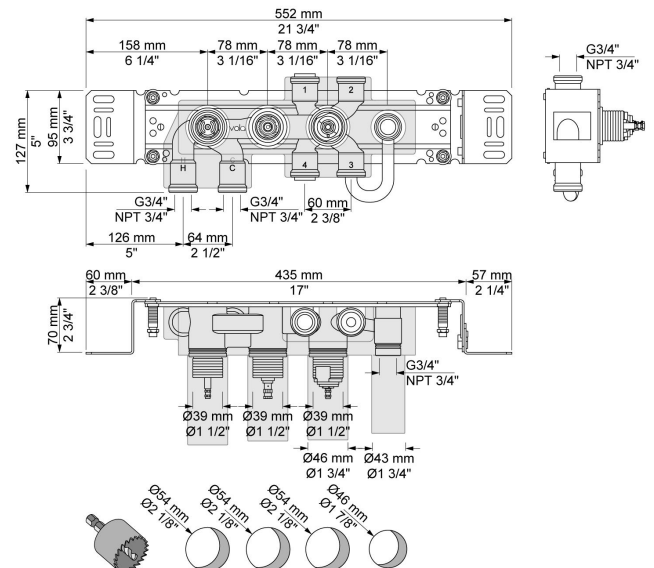
070S
Hand shower, hand shower holder and hose with non-return valve.



5005B
Five-hole plate (for 5400 w. T8), Ø39, Ø39, Ø39, Ø30, Ø33 mm, 387x60 mm.

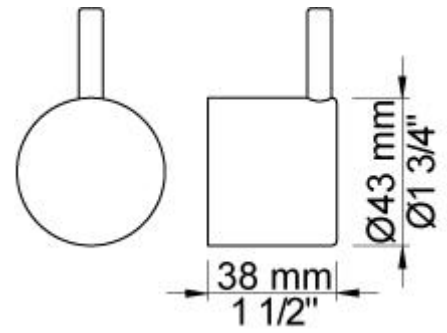


5400NV
Thermostatic mixer with diverter and one fixed outlet socket.
¾" connection to copper, steel, iron or pex pipe work.

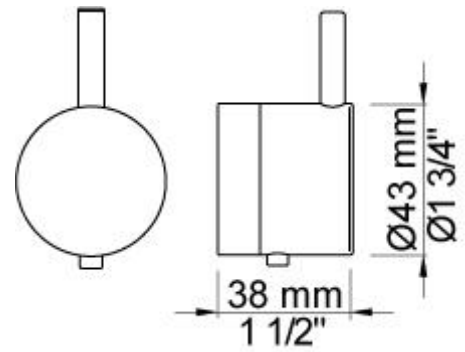


**NR51**

On/off handle for series 5000.

**NR52**

Thermostatic handle for series 5000.

**NR64G**

Diverter handle for 5400/5600.

With peg in the same colour as handle (Standard).

