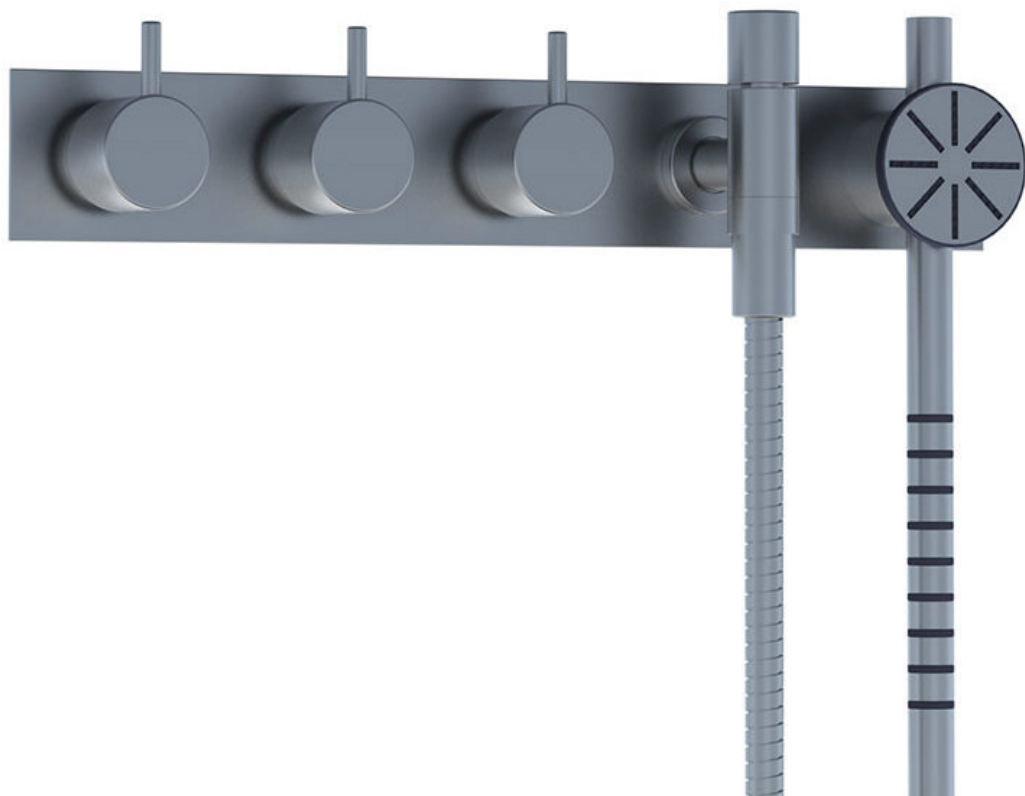


| |
|--|
| |
|--|

| |
|----------|
| Date: |
| Client: |
| Project: |



875S-081

Two-handle build-in mixer with ¼ turn ceramic disc technology and diverter.

875S-081UP = Mixer 800N.

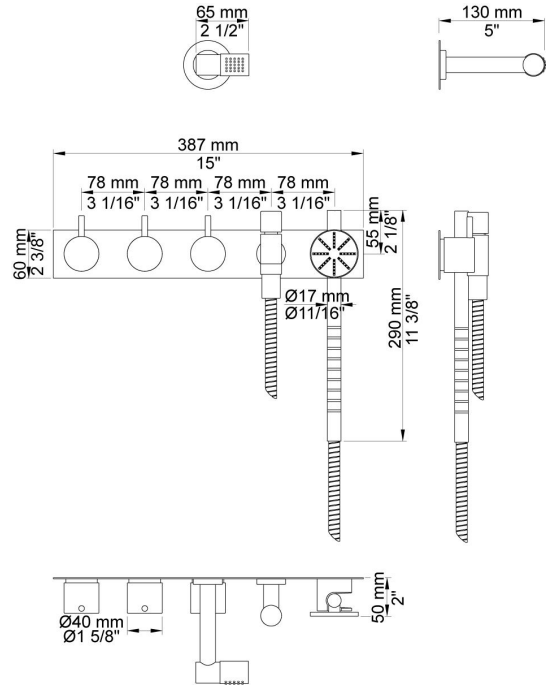
875S-081AP = 2 pcs. handles NR17, handle NR19G, hand shower and hand shower holder with non-return valve 070S, hose 1500 mm, 115 mm head shower 080, five-hole plate 60 x 387 mm 005.

Flow

| | Bar: | 1.0 | 2.0 | 3.0 | 4.0 | 5.0 |
|--------------------|---------|-----|-----|------|------|------|
| 070S ¹⁾ | (l/min) | 6.9 | 9.8 | 12.0 | 13.9 | 15.5 |
| 080 ²⁾ | (l/min) | 6.9 | 9.8 | 12.0 | 13.9 | 15.5 |

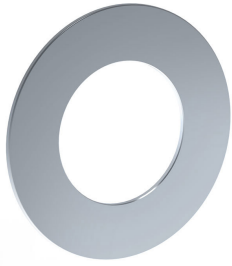
¹⁾ USA: Flow restricted to 2.0 gpm (7.6 l/min)

²⁾ USA: Flow restricted to 1.8 gpm (7.0 l/min)

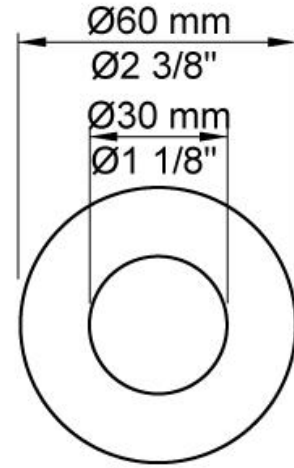


Available in colors

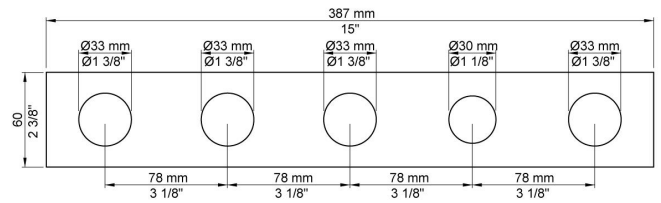
| | |
|---------------------------|-----------------------------------|
| Color 02, Grey | Color 21, Carmine red |
| Color 04, Light blue | Color 25, Pink |
| Color 05, Orange | Color 27, Matt black |
| Color 06, Light green | Color 28, Matt white |
| Color 08, Yellow | Color 40, Brushed stainless steel |
| Color 09, Dark grey | Color 60, Black |
| Color 12, Mocca | Color 61, Brushed black |
| Color 14, Bright red | Color 62, Deep black |
| Color 15, Dark blue | Color 63, Copper |
| Color 16, Polished chrome | Color 64, Brushed Copper |
| Color 17, Gloss black | Color 65, Gold |
| Color 18, White | Color 68, Silver |
| Color 19, Natural brass | Color 70, Brushed Gold |
| Color 20, Brushed chrome | |



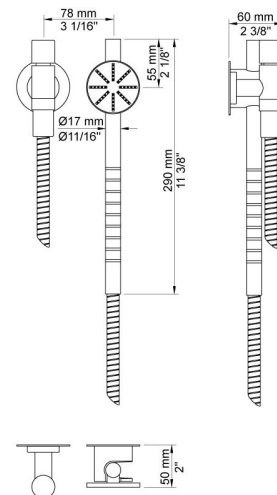
001
60 mm circular flange.
Hole Ø30 mm.



005
Four-hole plate, 60 x 387 mm.
Holes Ø33 mm, Ø33 mm, Ø33 mm, Ø30 mm, Ø33 mm.

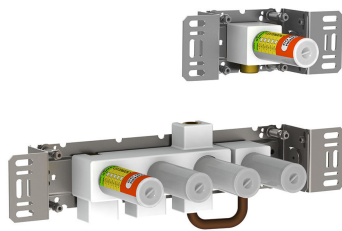
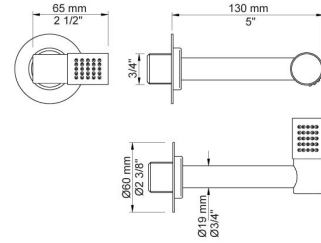


070S
Hand shower, hand shower holder and hose with non-return valve.

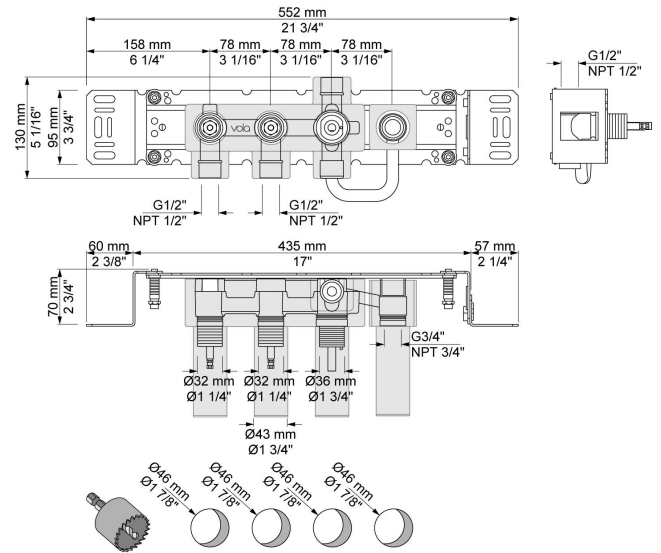




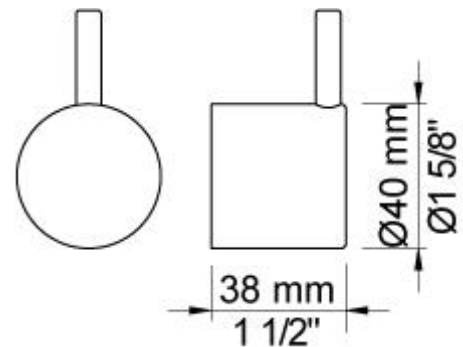
080
130 mm head shower.
60 mm cover flange included.



800N
Two-handle build-in mixer with diverter, including one fixed and one separate outlet socket, 200M.
1/2" connection to copper, steel, iron or pex pipe work.



NR17
Operating handle for 600, 700, 800, 900, 1500, 2800, 2900, S20, S21, S40, S42 incl. variants. Ø40 mm.



**NR19G**

Diverter handle for 400 and 800 incl. variants.
Ø40 mm. With peg in the same colour as handle
(standard).

