

| |
|--|
| |
|--|

| |
|----------|
| Date: |
| Client: |
| Project: |



BK4

Two-handle mixer for bath filling can be used in conjunction with A24, and mixer with hand shower. Complete with adjustable bracket and water collection box.

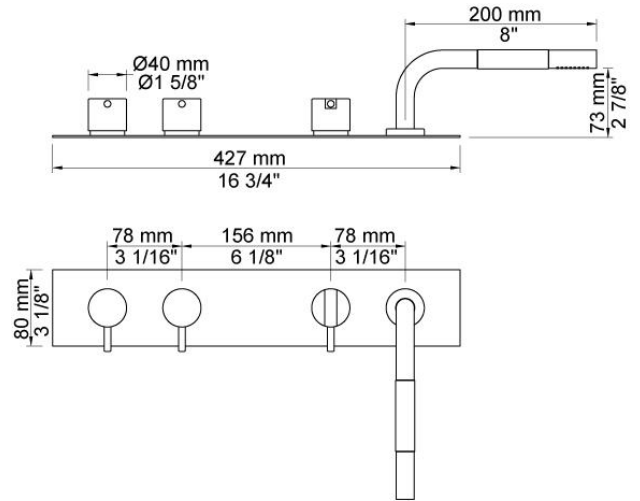
BK4UP = Plumbed part, fixing bracket and water collection box.

BK4AP = Trim parts.

A24 sold separately.

Flow

| | Bar: | 1.0 | 2.0 | 3.0 | 4.0 | 5.0 |
|-----|---------|------|------|------|------|------|
| BK4 | (l/min) | 27.1 | 38.4 | 47.0 | 54.3 | 60.7 |
| T1 | (l/min) | 5.8 | 8.2 | 10.0 | 11.6 | 12.9 |
| A24 | (l/min) | 11.3 | 15.9 | 19.5 | 22.5 | 25.2 |



Available in colors

| | |
|---------------------------|-----------------------------------|
| Color 02, Grey | Color 21, Carmine red |
| Color 04, Light blue | Color 25, Pink |
| Color 05, Orange | Color 27, Matt black |
| Color 06, Light green | Color 28, Matt white |
| Color 08, Yellow | Color 40, Brushed stainless steel |
| Color 09, Dark grey | Color 60, Black |
| Color 12, Mocca | Color 61, Brushed black |
| Color 14, Bright red | Color 62, Deep black |
| Color 15, Dark blue | Color 63, Copper |
| Color 16, Polished chrome | Color 64, Brushed Copper |
| Color 17, Gloss black | Color 65, Gold |
| Color 18, White | Color 68, Silver |
| Color 19, Natural brass | Color 70, Brushed Gold |
| Color 20, Brushed chrome | |