

--

Date:
Client:
Project:

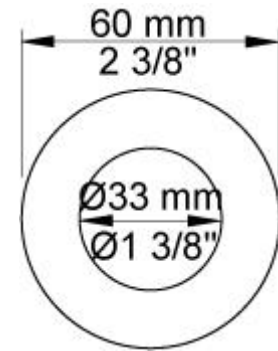




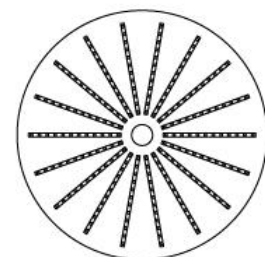
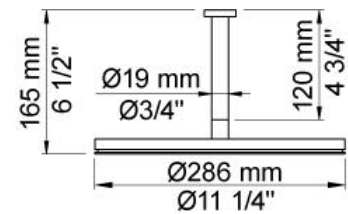
001
60 mm circular flange.
Hole Ø30 mm.



001G
60 mm circular flange. Hole Ø33 mm.

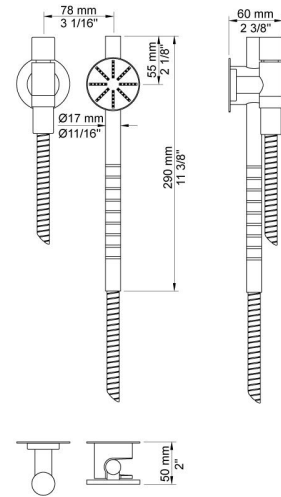


060A
Head shower, round, ceiling-mounted.
60 mm cover flange included.

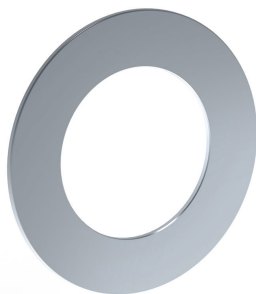
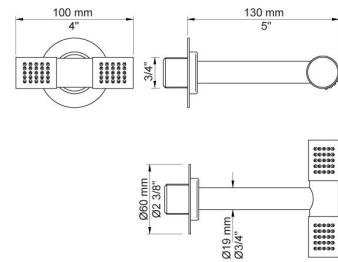




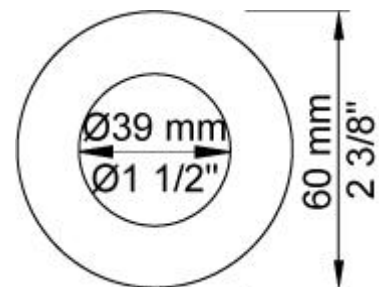
070S
Hand shower, hand shower holder and hose with non-return valve.

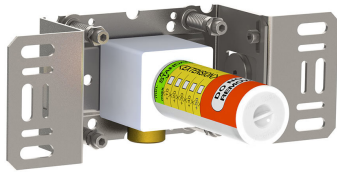


080D
130 mm double head shower.
60 mm cover flange included.



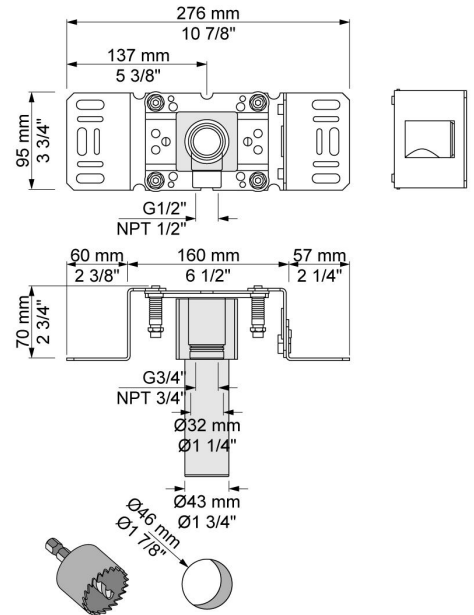
2001
60 mm circular flange.
Hole Ø39 mm.





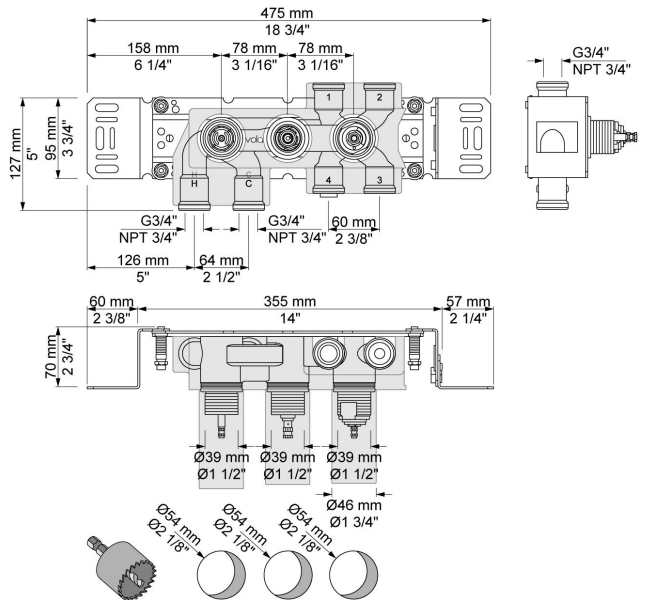
200M

Separate outlet socket.
 1/2" connection to copper, steel, iron or pex pipe work.



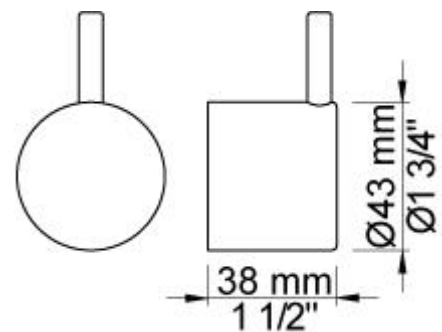
5400VA3

Thermostatic mixer with 3-way diverter.
 3/4" connection to copper, steel, iron or pex pipe work.



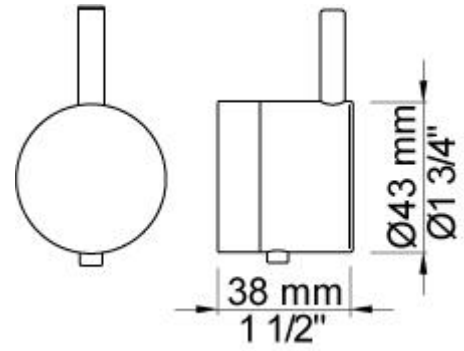
NR51

On/off handle for series 5000.





NR52
Thermostatic handle for series 5000.



NR64G
Diverter handle for 5400/5600.
With peg in the same colour as handle (Standard).

