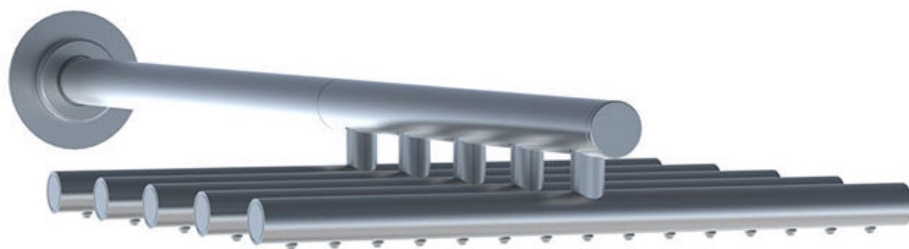
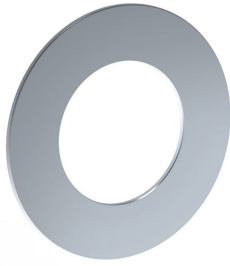


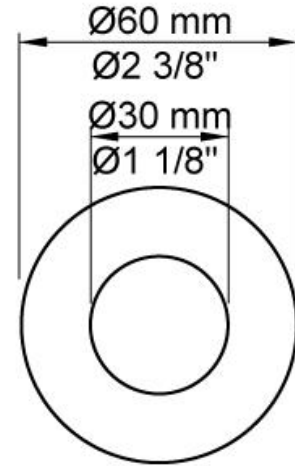
--

Date:
Client:
Project:

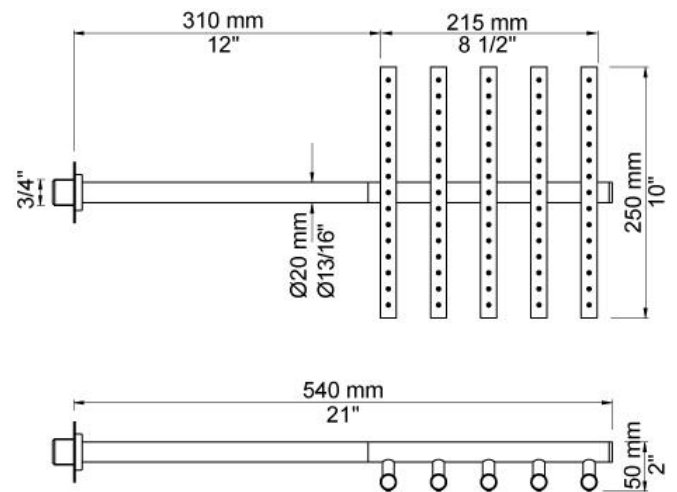




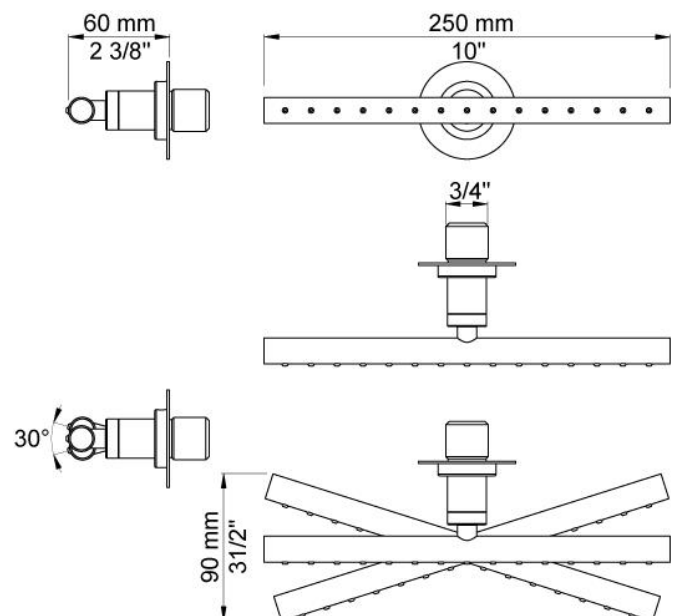
001
60 mm circular flange.
Hole Ø30 mm.



050
Head shower, wall-mounted.
Fits 200M in an existing installation if it is from the new generation of VOLA build-in fittings after 1995.

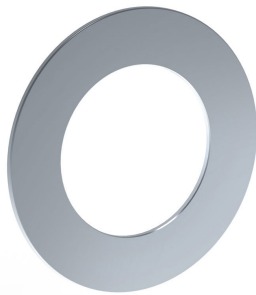
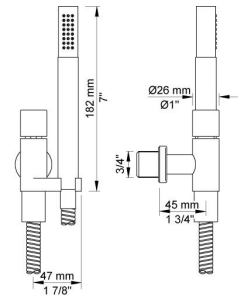


050K
Adjustable body jet.

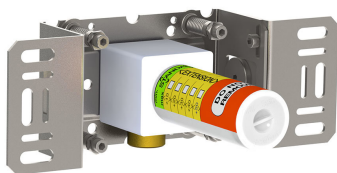
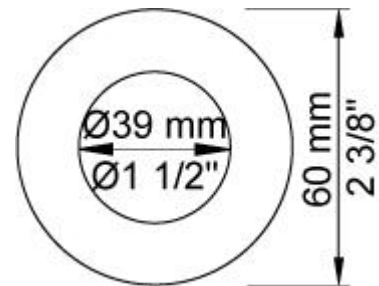




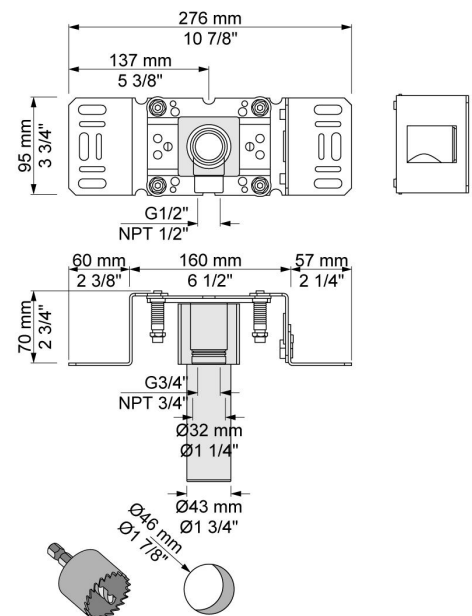
070R
Hand shower, hand shower with holder to the right and hose with non-return valve.



2001
60 mm circular flange.
Hole Ø39 mm.



200M
Separate outlet socket.
1/2" connection to copper, steel, iron or pex pipe work.



**NR64G**

Diverter handle for 5400/5600.

With peg in the same colour as handle (Standard).

